

Manual for the Use of IOT titration water and fertilizer machine

JXZJ-Z6

Ver1.0

威海精讯畅通电子科技有限公司

Weihai JXCT Electronics Co., Ltd.

Chapter 1 Product Profile

1.1 Product Overview

JXZJ-Z6 intelligent agricultural control host is a new intelligent agricultural host control system developed by our company. It is a new online monitoring terminal which integrates collection, monitoring, control and remote reporting.

JXZJ-Z6 control hosts include "control "," perception "," communication ". Three functions, with fine news cloud and WeChat Mini Program and other organic combination, is a high standard intelligent agricultural mainframe products.JXZJ-Z6

1.2 Product characteristics

- Use 7-inch touch screen, data and equipment status clear display. Each control device can be operated through the touch screen to view the

information of each set of sensors

- The combination of local control and network control, each channel can be local control, or through cloud, Mini Programs remote control
- Various logic functions, support linkage logic, mutual exclusion logic, timing logic, support sensor automatic control, provide rich automatic control function interface

1.3 Main engine electrical parameter

Parameter Name	Parameters
Equipment supply	220V AC
Product power consumption	30W ≤
Number of control channels	≤4(customizable)
Number of sensor channels	≤32 groups
Relays allow current	≤10A
Contactors Allowable Current	≤90A(optional by configuration)
Working	-20-70 °C

temperature

Working humidity 0-95%RH No condensation

1.4 Communication parameters

Parameter Name	Parameters
Transport interface	4G Wireless Signal Transmission
Frequency band format	FDD-LTE、TDD-LTD、TD-SCDMA、UMTS、EV-DO、CDMA、GSM
Operational support	China Mobile, China Unicom, China Telecom 4 G、3G、2G All Netcom

1.5 Host display parameters

Parameter Name	Parameter Content
Screen Display Size	154*85mm
Screen resolution	800*480 pixels
Screen brightness	200nit
Backlight Mode	LED

Color 65K color

1.6 Sensor parameters

Our intelligent agricultural host on-line monitoring system can accurately measure the temperature and humidity data in the soil, so as to carry out agricultural irrigation by local credit card or platform operation.

Technical parameter	Scope of measurement	Resolution	Precision	Unit
Soil temperature	-40-80	0.1	±0.2	°C
Soil moisture	0-100	0.1	±3	%RH

1.7 Application environment

Our agricultural mainframe and sensors are widely used in agricultural greenhouse, farmland, aquatic products and livestock industries, as shown in the figure:



园林灌溉监测



农耕指导



水利建设



矿山监测



地质勘探



牧草种植

Chapter 2 Hardware connection

2.1 List of products

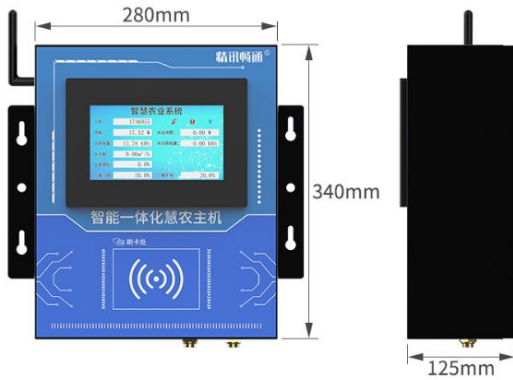
Check the equipment list before installing the equipment:

Name	Number
Smart hosts	1pc
Installation accessories	Several
Warranty card/certificate	1pc

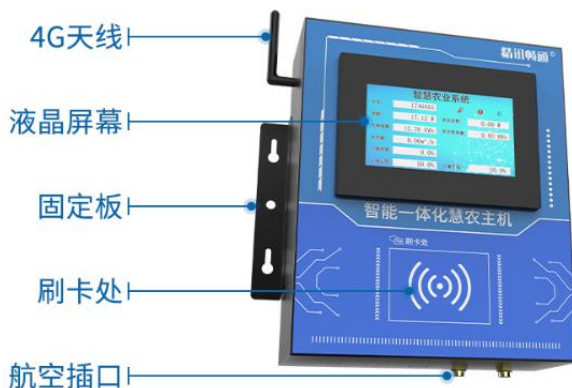
2.2 Product Description

The following is a smart card master appearance size and details of the diagram, according to the product size and details of the easy installation and use, as shown in the diagram:

(1) Appearance dimensions

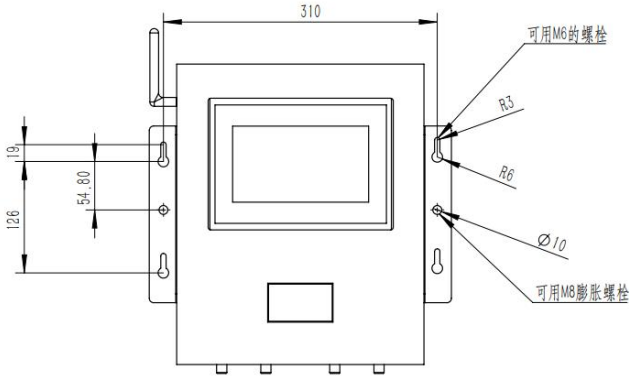


(2) Product details



2.3 Product installation instructions

Smart host can be fixed to the wall by screw hole position and expansion screw. First, according to the position of the upper end of the main engine, the main engine is suspended on the screw; then the hole position of the lower end of the left and right sides of the main engine is fixed with screws; finally, the screw hole position in the middle of the main engine is fixed with expansion screws. Installation dimensions are shown in the figure:



Chapter 3 Product Function and Interface Profile

3.1 Product function

(1) . I swipe the card relay action (note: the premise card has money, equal to 0 relay can not move).

(2) .A new card can be automatically registered (Note: any new card will automatically register and record the newly registered card number. This registration is a dynamic realloc application memory. The program memory increases with the number of registrations, not the number

of dead. The newly registered balance is 0

(3) .Brush other registration cards or new cards when swiping cards, will be invalid, will always be the current card number card.

(4) . At the end of the credit card, the information corresponding to the card number will stay for 60 seconds, the upper right corner will have a countdown, and the relevant information of the card number will be cleared to protect privacy.

(5) . Within 60 seconds of the end of the credit card, it is equal to the end of the credit card, only to display the problem. During this period, the new card registration and recharge function can be carried out, but the card number information displayed before the screen will be refreshed. Display the latest message, time and start the time again.

(6) . Credit card balance according to the meter value, coefficient calculation, the screen will display the current consumption value, only when the end of the card will be deducted.

(7) . Data can be uploaded through 4 G platform.

(8) .Custom dual device number (note: because the relay and sensor data can no longer be displayed on the same port, the relay is the original device number, and the sensor value is 48 bits high 1, that is, ID[0],)

(9) .The control relay switch can be issued on the

platform.

(10). Can send money calculation coefficient under the platform,

(11). The amount corresponding to the recharge card number can be issued.

(12). Water flow can be read through 485 and displayed on screen

(13). Can be read through 485 single soil moisture, screen display,

(14). The electricity consumption of the meter can be read through 485, and the display and calculation of the electricity quantity can be carried out.

(15). The upper and lower limits of humidity alarm can be set through the screen.

(16) . If the soil moisture is greater than the upper limit or less than the lower limit, the screen will be marked with flicker

3.2 Interface Profile

智慧农业系统

卡号:  

余额: ¥ 本次消费: ¥

总用电量: 本次用电量:

水流量:

土壤湿度:

土壤上限: 土壤下限:

- (1). Display card number new card (otherwise swipe card do not know their card number related information)
- (2). Display card number balance
- (3). Showing the consumption
- (4). Total electricity consumption
- (5). Showing power consumption
- (6). Show soil moisture.
- (7). Up and down limits of soil moisture alarm

(8). Click on the upper and lower limits to enter the editing interface to write the upper and lower limit values

(9). In the editing interface, the maximum length is 4 digits, the data is automatic calculation, no need to fill 0, such as :12, the value is 12, do not need 0012;

(10) .For the first time, a credit card icon will turn red



as shown ,The second will turn blue , represent consumption



(11) .Alarm will have icon for flash, as shown in



figure , The normal state is yellow, as shown



(12) .The screen will count down to 60 seconds when consumer protection

Chapter 4 Remote control function

JXZJ-Z series of hosts, not only through local operation

control, but also through our research and development of fine cloud server and fine cloud Mini Programs remote operation, fine cloud server and Mini Programs account common.

(1) Jingxun Cloud Platform

Use browser login "www.sennor.net" to enter the server login interface, enter the account password login.

After logging into the server, click on the menu bar "data center-list display" on the left side of the server to display the number, status, and ID, of the bound relay devices to operate, as shown in the

figure:



(2) Jingxun Cloud Mini Programs

WeChat Mini Program search "jingxun cloud ", click attention bottom, use account login can.

After successful login, click on the "device" below, the number, status and ID, of the bound devices will appear, and then click on the relay device to be used, as shown in the figure:

(3) Charging Description

Using the browser login platform, click on the left "device Center-instruction Management ", as shown in the figure:



ID	设备编号	指令	数值	创建时间	下载时间	状态	操作
14723	173CD911831A	网络供电指令	360	2020-03-02 17:25:05	2020-03-02 18:34:52	成功	重发
14722	173CD911831A	网络供电指令	360	2020-03-02 17:24:42	2020-03-02 17:34:43	成功	重发
14721	173CD90F918A	网络供电指令	360	2020-03-02 17:24:01	2020-03-02 18:34:29	成功	重发
14720	173CD90F918A	网络供电指令	360	2020-03-02 17:23:32	2020-03-02 17:34:19	成功	重发
14719	173CD90C224B	网络供电指令	360	2020-03-02 17:22:46	2020-03-02 18:33:13	成功	重发

Click the "send instructions" in the upper left corner of the figure to enter the recharge interface, as shown in

The screenshot shows a dark blue background with a white form. The form has five rows, each with a label on the left and a corresponding input field on the right. The labels are: 设备类型 (Device Type), 设备号 (Device ID), 设备密码 (Device Password), 指令 (Instruction), and 数值 (Value). The input fields are: a dropdown menu with '请选择设备类型' (Please select device type), a text box with '12位设备编号' (12-digit device ID), a text box with '任意字符' (Any character), a dropdown menu with '请选择指令' (Please select instruction), and a text box with '数字' (Number). At the bottom center of the form is a grey button with the text '下发' (Send).

the figure:

1. "Device Type" Select "Smart Host"
2. Enter the ID of the device
3. Device password can be omitted
4. Click the instruction to select Recharge, as shown

in the figure:

The screenshot shows a white dialog box with a title bar that says '选择下发指令' (Select instruction to send). Below the title bar are three options, each in a grey box with red text for the main option and black text for the description: '修改手机号' (Modify phone number) with '(16进制(0开始后跟11位手机号))' (16-bit (11 digits after 0)), '充值' (Top-up) with '(16进制卡号4金额2)' (16-bit card number 4 amount 2), and '更改消费系数' (Change consumption coefficient) with '(系数*2/2)' (Coefficient * 2 / 2). At the bottom center of the dialog box is a blue button with the text '取消' (Cancel).

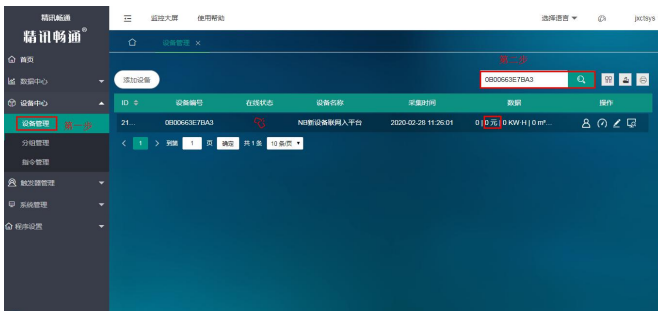
5. The value is in the form of a four-byte card number,

and the latter two bytes are the amount, for example, the card number :01616833, which needs to be recharged by 123 yuan, then enter 016168330123 in the value

6. If you want to send a consumption coefficient, for example, multiply coefficient 12 by coefficient 3, then enter 00120003

(4) Balance query

After using the browser to log on to the platform, first click on the left "device Center-device Management ", then enter the corresponding device in the device number ID, and finally click on the query to view the remaining amount, as shown in the figure:



Chapter 4 Quality Assurance and After-sale

The warranty clauses follow the sensor after-sales clauses of Weihai JXCT Electronics Co.,ltd two years for the sensor host circuit part, one year for gas-sensitive probes, and three months for accessories (housing/plugs/cables, etc.).